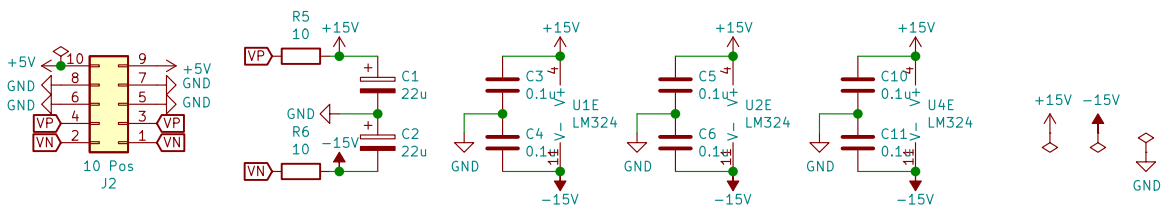


- H1 MountingHole
- H2 MountingHole
- H3 MountingHole
- H4 MountingHole



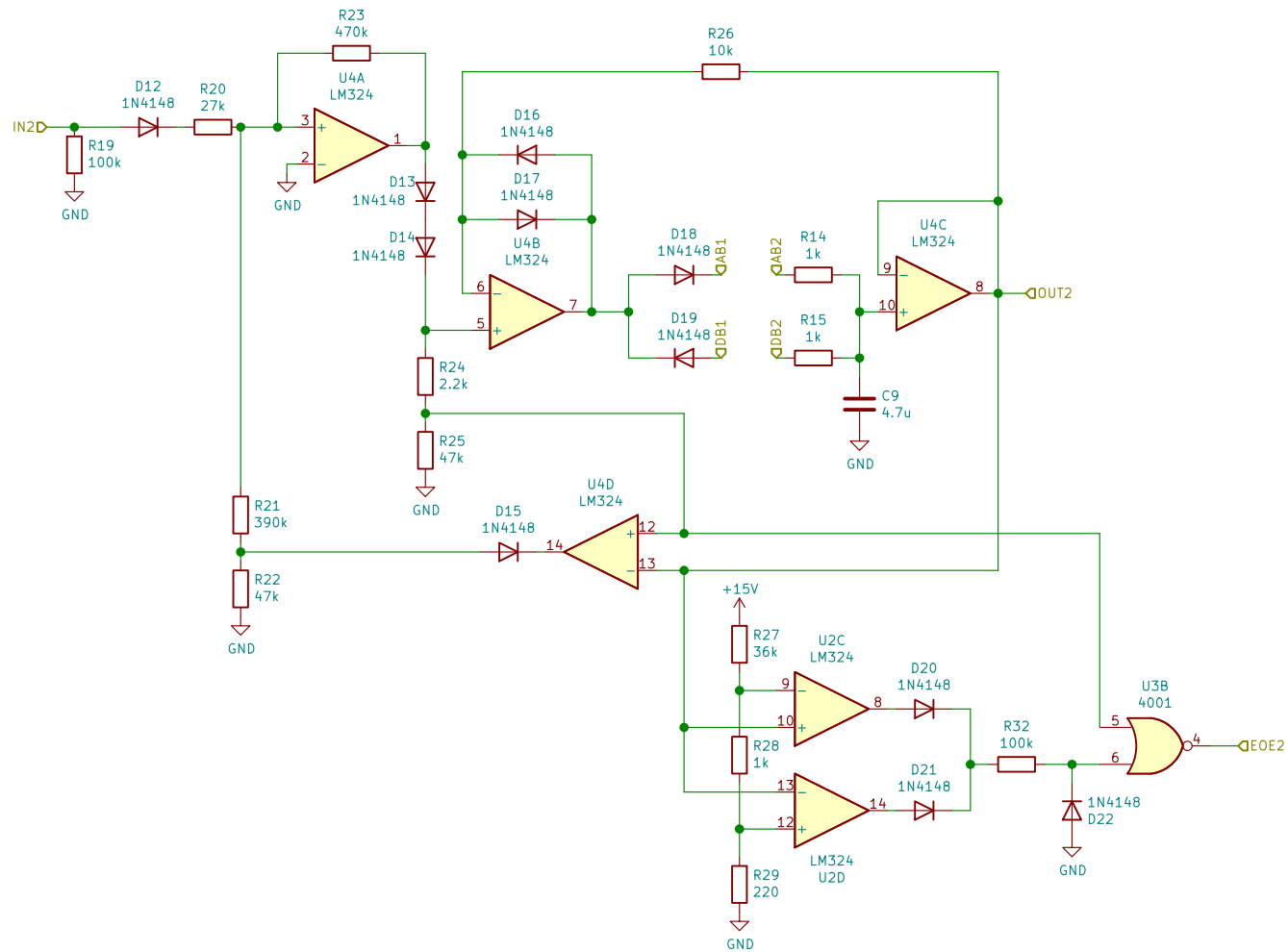
License CC BY 4.0 – Attribution 4.0 International

AD/AR envelope generator  
schema for pcb

Sheet: /  
File: main.sch

**Title: kontur**

Size: A4	Date: 2021-12-12	Rev: R02
KiCad E.D.A. eeschema 5.1.9+dfsg1-1		Id: 1/3



License CC BY 4.0 – Attribution 4.0 International

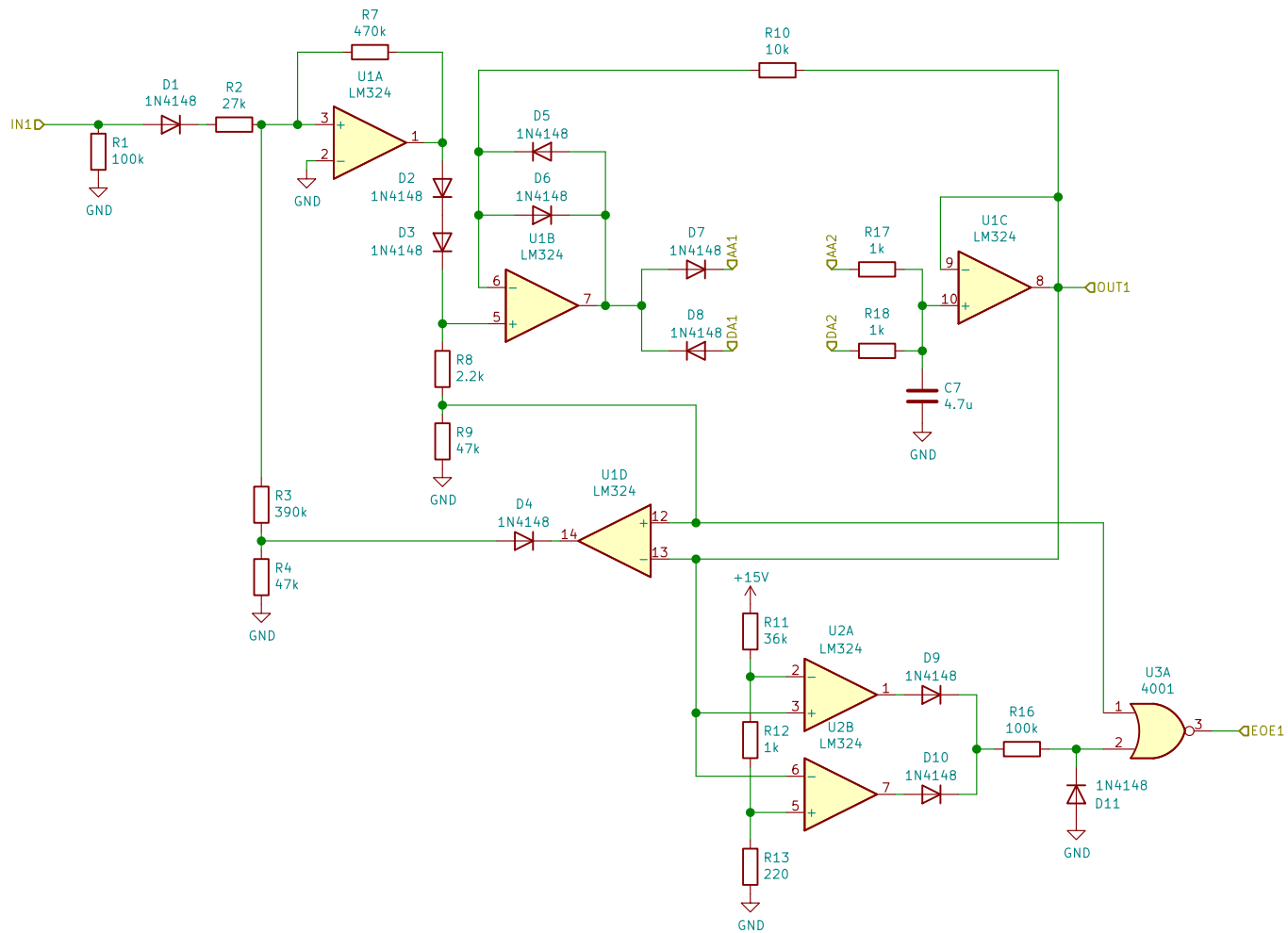
AD/AR envelope generator  
 schema for pcb

Sheet: /sheet61729057/  
 File: envelope 2.sch

**Title: kontur**

Size: A4 Date: 2021-12-12  
 KiCad E.D.A. eeschema 5.1.9+dfsg1-1

Rev: R02  
 Id: 2/3



License CC BY 4.0 – Attribution 4.0 International

AD/AR envelope generator  
 schema for pcb

Sheet: /sheet61728A8D/  
 File: envelope 1.sch

**Title:** kontur

Size: A4 Date: 2021-12-12  
 KiCad E.D.A. eeschema 5.1.9+dfsg1-1

**Rev:** R02  
 Id: 3/3